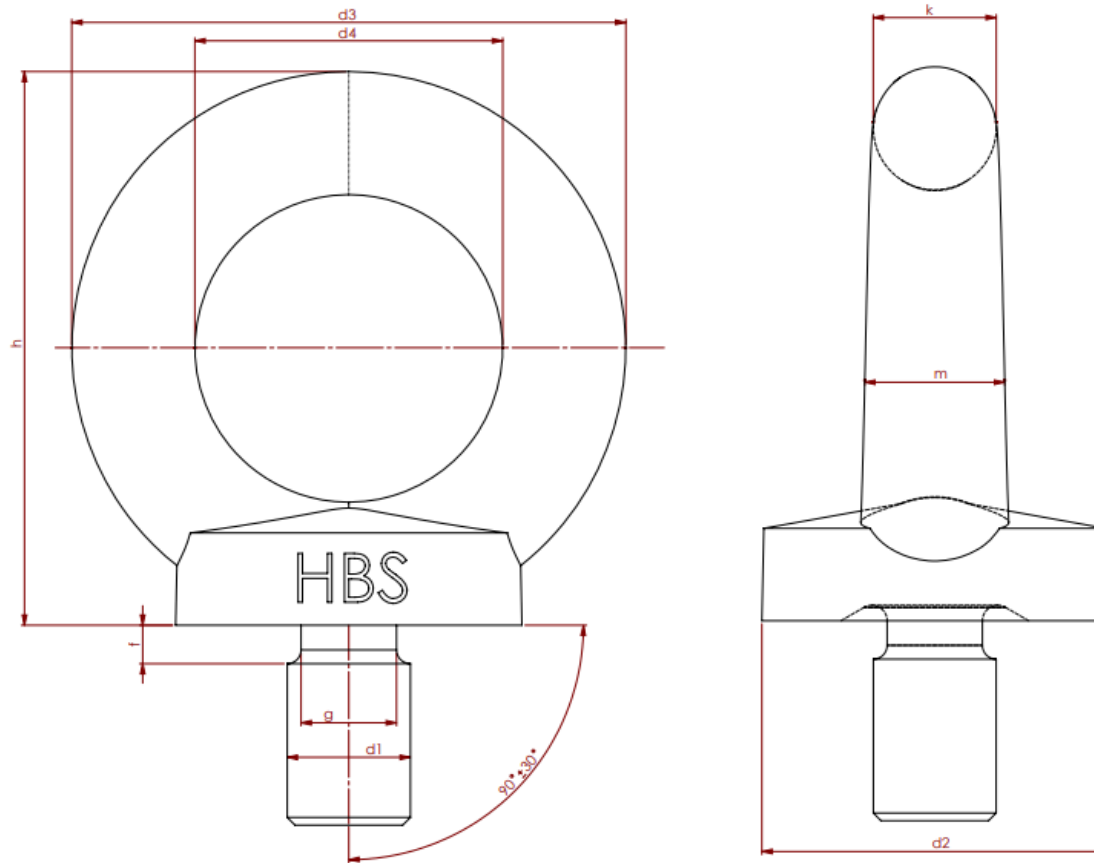


Lifting Eye Bolts

DIN 580;



LEGENDS

- l** : Bolt Length
- d1** : Thread nominal diameter
- d2** : Head Diameter
- d3** : Outer Diameter of the Eye
- d4** : Diameter of the Eye
- h** : Height
- f** : Undercut Length