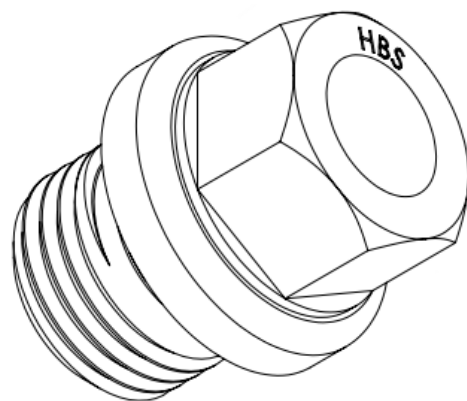
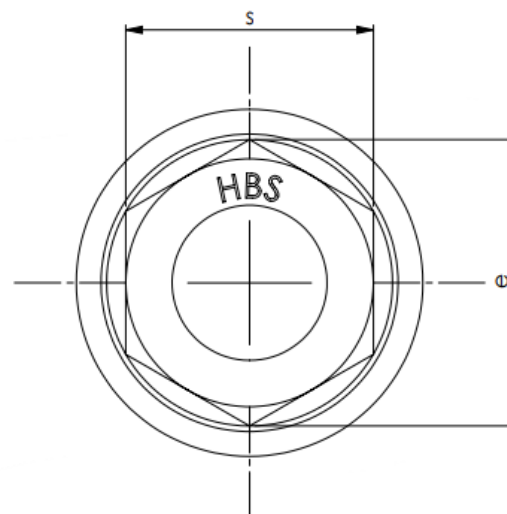
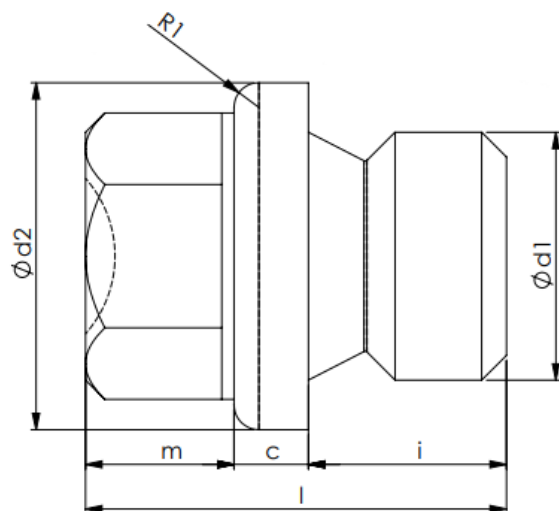


Screw plugs with collar and outer hexagon

DIN 910; CSN 021915;



- s** : Width across flat
- e** : Width across corner
- m** : Head Height
- l** : Length
- d2** : Outer diameter of Collars
- d1** : Thread Nominal Diameter

d1		c	d2	e	i	l	m	s	Tolerance	Weight-kg/ 1000 pieces	
Acc. DIN 13 Part 5,6 or 7 (metric fine pitch thread)	Acc. ISO 228-1 (Pipe Thread)	+0.5	h14	min.	± 0.2	approx.	± 1/2 IT15				
M 10x1	-	G1/8 A	3	14	10.89	8	17	6	10	h14	12
M12 x 1.5	-	-	3	17	14.2	12	21	6	13		20.3
-	-	G1/4 A	3	18	14.2	8	17	6	13		20
-	-	G1/4 A	3	18	14.2	12	21	6	13		29.8
M14 x 1.5	-	-	3	19	14.2	12	21	6	13		25
M16x1.5	-	-	3	21	18.72	12	21	6	17		35.2
-	-	G3/8 A	3	22	18.72	8	17	6	17		32.2
-	-	G3/8 A	3	22	18.72	12	21	6	17		38.1
M18x1.5	-	-	3	23	18.72	12	24	6	17		48.6
M20x1.5	M20x2	-	4	25	20.88	14	26	8	19		64.5
-	-	G 1/2 A	4	26	20.88	10	22	8	19		57.8
-	-	G 1/2 A	4	26	20.88	14	26	8	19		66.6
M22x1.5	-	-	4	27	20.88	14	26	8	19	73.4	

d1			c	d2	e	i	l	m	s	Tolerance	Weight-kg/ 1000 pieces
Acc. DIN 13 Part 5,6 or 7 (metric fine pitch thread)	Acc. ISO 228-1 (Pipe Thread)		+0.5	h14	min.	± 0.2	approx.	± 1/2 IT15			
M24x1.5	-	-	4	29	23.91	14	27	9	22	h15	93.5
M26x1.5	-	-	4	31	26.17	16	30	10	24		120
-	-	G 3/4 A	4	32	26.17	12	26	10	24		109
-	M27x2	G 3/4 A	4	32	26.17	16	30	10	24		127
M30x1.5	M30x2	-	4	36	26.17	16	30	10	24		148
-	M33x2	G 1 A	5	39	29.56	16	32	11	27		195
M36x1.5	M36x2	-	5	42	29.56	16	32	11	27		220
M38x1.5	-	G 1-1/8 A	5	44	29.56	16	32	11	27		238
-	M39x2	-	5	46	29.56	16	32	11	27		255
M42x1.5	M42x2	G 1-1/4 A	5	49	32.95	16	33	12	30		300
M45x1.5	M45x2	-	5	52	32.95	16	33	12	30		340
M48x1.5	M48x2	G 1-1/2 A	5	55	32.95	16	33	12	30		375
M52x1.5	M52x2	-	5	60	32.95	16	33	12	30		430
-	-	G 1-3/4 A	5	62	39.55	20	40	15	36		572
-	M56x2	-	5	64	39.55	20	40	15	36		620
-	M60x2	G 2 A	5	68	39.55	20	40	15	36		695
-	M64x2	-	5	72	39.55	20	40	15	36	774	