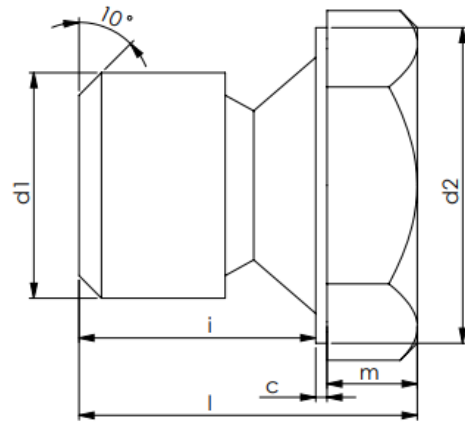
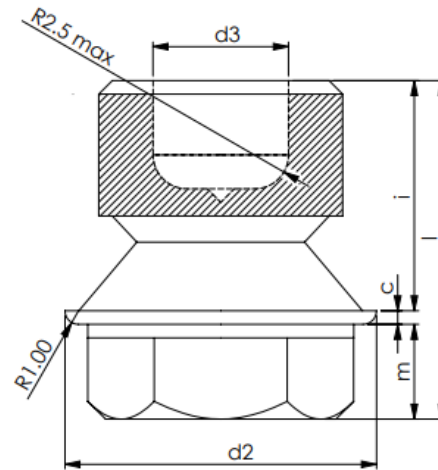
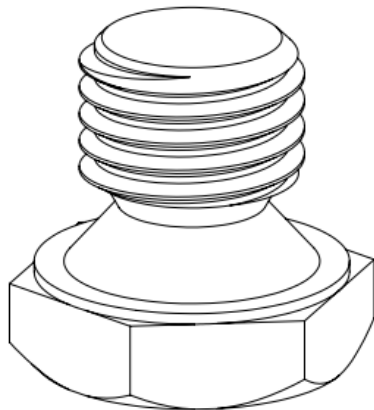


# Hexagon head pipe plug, cylindrical thread

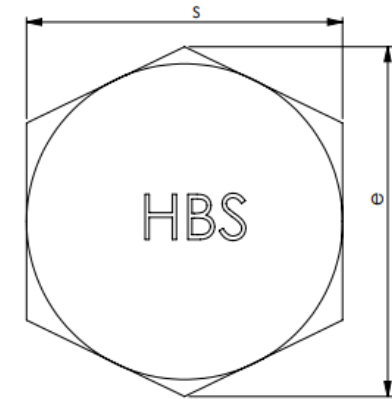
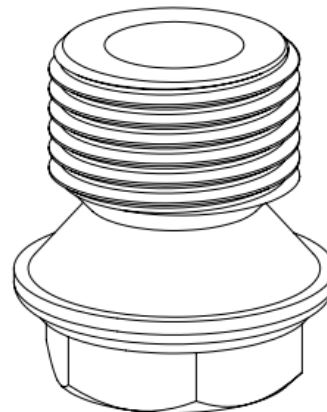
DIN 7604-A



For, **d1** Upto **M16**



For, **d1** **M18** and Above



- c** : Collar thickness
- s** : Width across flat
- l** : Length
- d2** : Outer diameter of Collars
- d1** : Thread nominal diameter
- e** : Width across corner
- d3** : Inner Diameter
- t** : Thread Length
- i** : Length till the collar ring
- m** : Head height
- d2** : Outer diameter of the ring shoulder

Design	d1 Metric fin screw thread in accordance with DIN 13 Part 5 and Part 6	c	d2	d3	e	h	l	m	s	t	Weight-kg/1000 pieces
		+0.5	h14	0.5	min.	a 0.2	approx.	a 1/2 IT 15	h13	0.6-0.3	
A with short screwed plug	M10x1	0.5	14	-	15.51	6	10.5	4	14	-	12.8
	M12x1.5	0.5	17	-	18.9	9	15.5	6	17	-	19.2
	M14x1.5	0.5	19	-	21.1	9	15.5	6	19	-	24.6
	M16x1.5	0.5	21	-	24.49	9	15.5	6	22	-	33.4
	M18x1.5	2	23	10	18.9	9	17	6	17	8	27.2
	M22x1.5	2	27	14	21.1	9	17	6	19	8	34.3
	M26x1.5	2.5	31	16	24.49	9	19.5	8	22	8	59.4
	M30x1.5	2.5	36	20	24.49	9	19.5	8	22	8	69.5
C with long screwed plug	M8x1	0.5	12	-	13.25	8	12.5	4	12	-	6.5
	M10x1	0.5	14	-	15.51	8	12.5	4	14	-	9.6
	M22x1.5	2	27	14	21.1	12	20	6	19	8	42.5
	M26x1.5	2.5	31	16	24.49	12	22.5	8	22	10	68.5
	M30x1.5	2.5	36	20	24.49	12	22.5	8	22	10	81
	M38x1.5	3	44	26	24.49	12	23	8	22	10	118
	M45x1.5	3	52	32	26.75	12	23	8	24	10	163
	M52x1.5	3	60	38	30.14	12	23	8	27	10	205