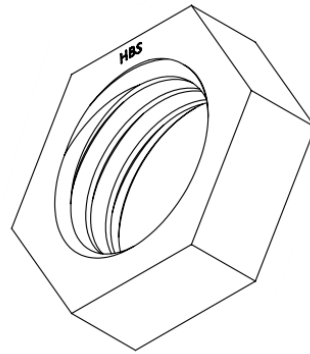
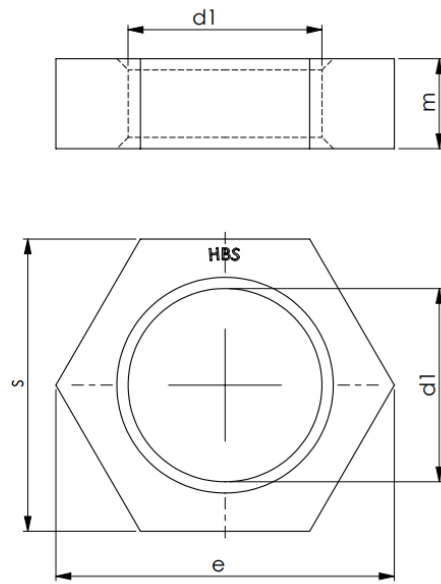


Hexagon head bolts with shank

DIN 439-A; ISO 4035; CSN 021403; UNI 3692; EU 24035;



LEGENDS

- s** : Width across flats
- e** : Width across corners
- m** : Height of the Nut
- d** : Nominal Diameter fo thread

Diameter d1	s	e	m
M2	4	4.32	1.2
M3	5.5	6.01	1.8
M4	7	7.66	2.2
M5	8	8.79	2.7
M6	10	11.05	3.2
M8	13	14.38	4
M10	17	18.9	5
M12	19	21.1	6
M14	22	24.49	7
M16	24	26.75	8
M18	27	29.56	9
M20	30	32.95	10
M22	32	35.03	11
M24	36	39.55	12
M27	41	45.2	13.5
M30	46	50.85	15
M33	50	55.37	16.5
M36	55	60.79	18