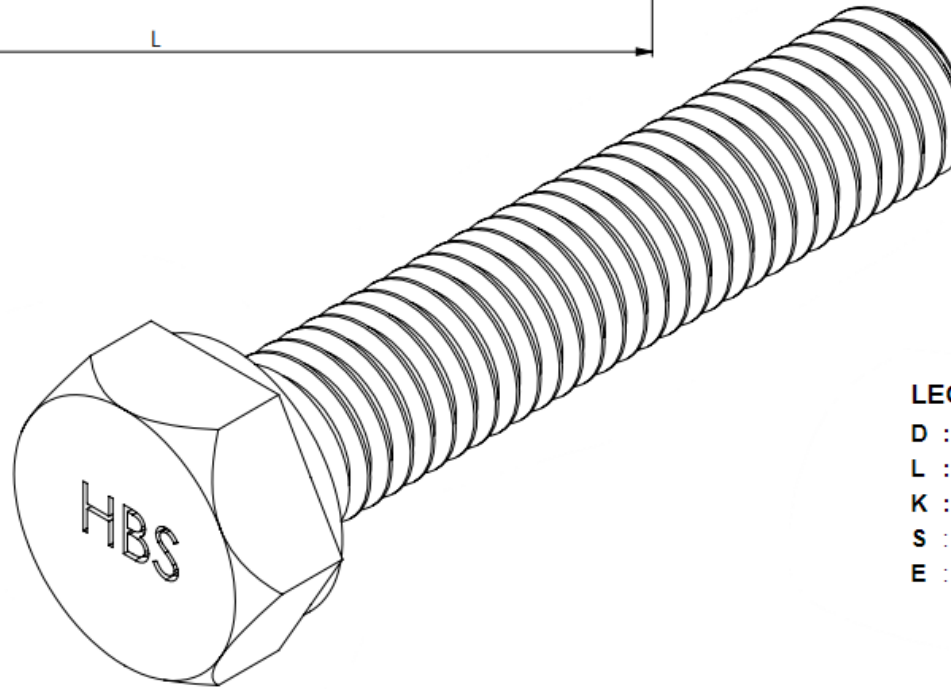
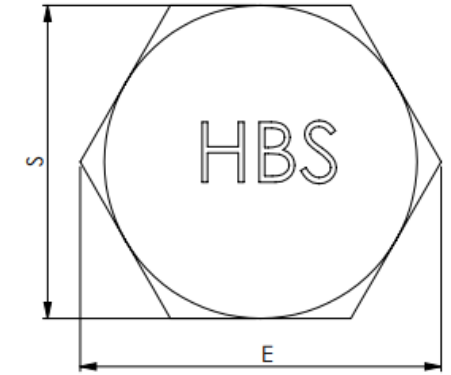
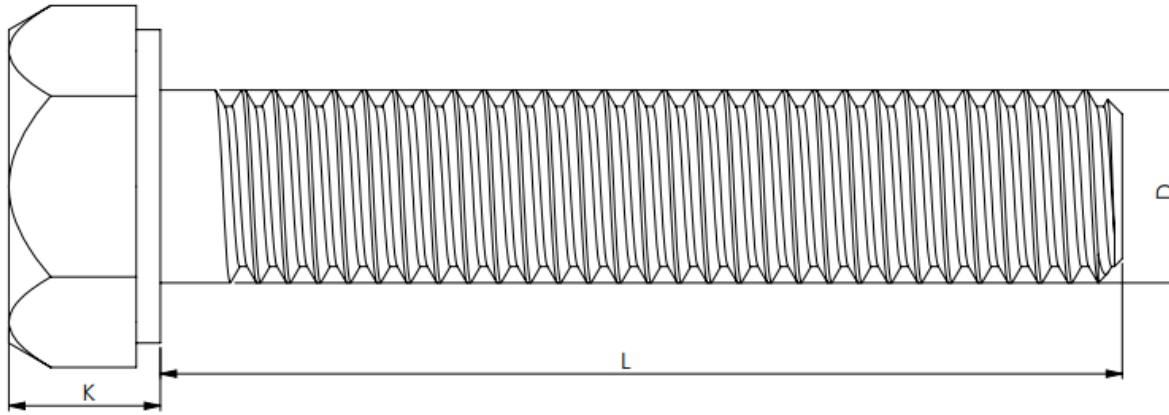


# Hexagon head bolts with shank

DIN 931; ISO 4014; CSN 021101; PN 82101; UNI 5737; EU 24014



## LEGENDS

D : Diameter

L : Length

K : Head Height

S : Width across flat

E : Width across corner

Thread D	M4	M5	M6	M8	M10
S	7	8	10	13	17
E	<b>7.74</b>	<b>8.87</b>	<b>11.05</b>	<b>14.38</b>	<b>18.9</b>
K	2.8	3.5	4	5.5	7

Thread D	M12	M14	M16	M18	M20
S	19	22	24	27	30
E	<b>21.1</b>	<b>24.49</b>	<b>26.75</b>	<b>30.14</b>	<b>33.14</b>
K	8	9	10	12	13

Thread D	M22	M24	M27	M30	M33
S	32	36	41	46	50
E	<b>35.72</b>	<b>39.98</b>	<b>45.63</b>	<b>51.28</b>	<b>55.8</b>
K	14	15	17	19	21

Thread D	M36	M39	M42	M45	M48
S	55	60	65	70	75
E	<b>61.31</b>	<b>66.96</b>	<b>72.61</b>	<b>78.26</b>	<b>83.9</b>
K	23	25	26	28	30